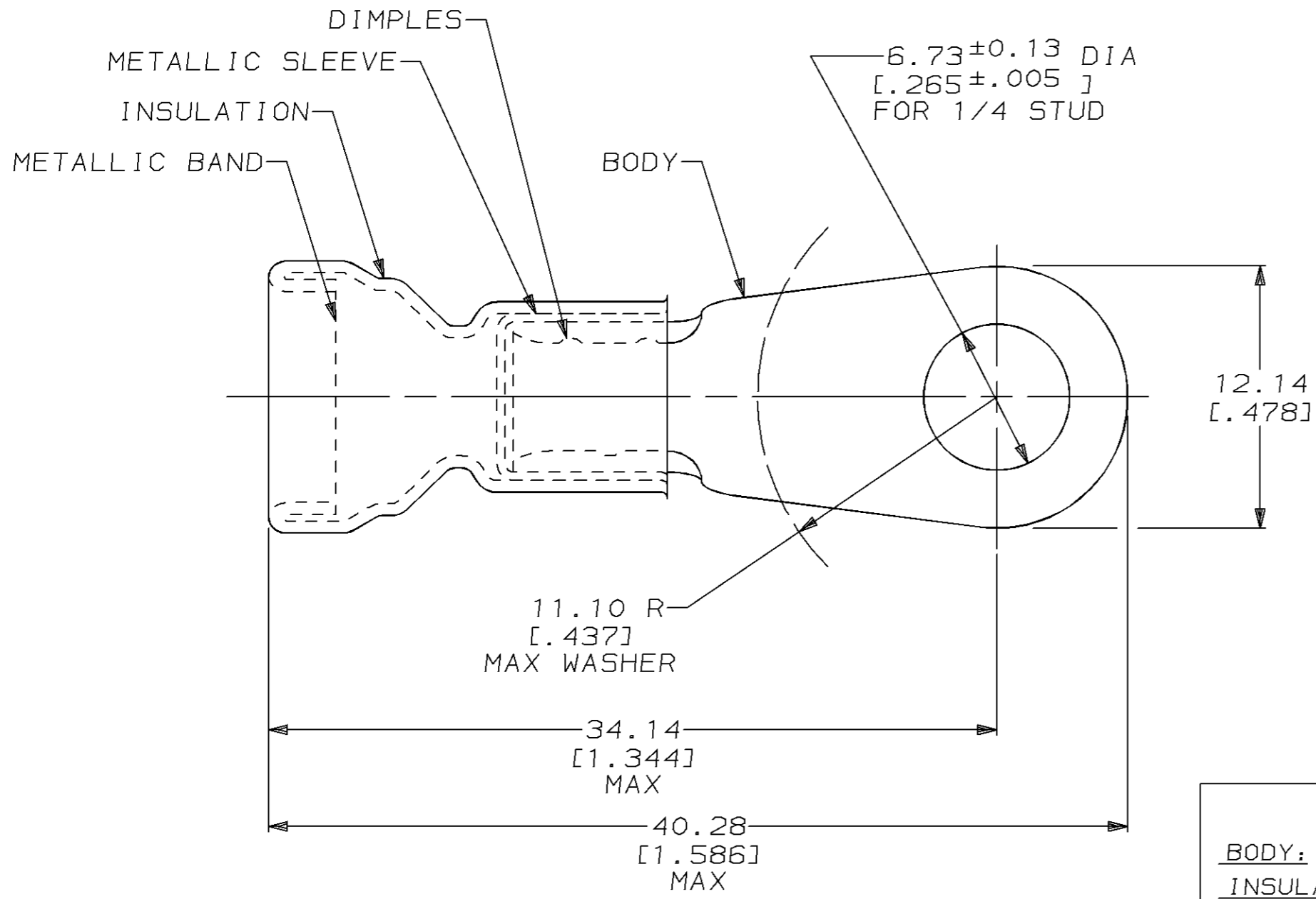


THIS DRAWING IS UNPUBLISHED. RELEASED FOR PUBLICATION ,19 .  
 © COPYRIGHT 19 BY AMP INCORPORATED. ALL RIGHTS RESERVED.

| LOC | DIST | REVISIONS   |                          |         |         |
|-----|------|-------------|--------------------------|---------|---------|
| P   | LTR  | DESCRIPTION | DATE                     | DWN     | APVD    |
| G   | 14   | M           | REVISED PER 0720-0939-96 | 24MAY96 | DKS DMS |



- 1 MATERIAL THK: 1.02 ± 0.08 [.040 ± .003]
- 2 WIRE INSULATION DIA: 7.57 [.298] MAX
- 3 TIN PL 0.00254 [.000100] MIN THK PER MIL-T-10727
- 4 GOLD PL 0.00127 [.000050] MIN THK PER MIL-G-45204 OVER NICKEL PL 0.00076 [.000030] MIN THK PER QQ-N-290
- 5 INSULATION COLOR: RED
- 6 INSULATION COLOR: YELLOW
- 7 TAPE MOUNTED PER 115-11001

|   |  |
|---|--|
| BODY: COPPER PER ASTM B-152<br>INSULATION: PVC<br>METALLIC SLEEVE: COPPER PER ASTM B-152<br>METALLIC BAND: STEEL PER ASTM A-109 | $\Delta$ 2-322049-5 $\Delta$ 5             |
|   | $\Delta$ 2-322049-3 $\Delta$ 6<br>OBSOLETE |
|   | $\Delta$ 2-322049-1 $\Delta$ 5<br>OBSOLETE |
|   | $\Delta$ 322049 $\Delta$ 5                 |
| MATERIAL & FINISH   |  |
| AMP PART NUMBER   |  |

**AMP INCORPORATED**  
**CUSTOMER SERVICE SYSTEMS**

|  |  |   |
|--|--|---|
| FOR ADDITIONAL PRODUCT INFORMATION OR COPIES OF DRAWINGS AND TECHNICAL DOCUMENTS | PRODUCT INFORMATION CENTER<br>1-800-522-6752 | RECOMMENDED OPERATING TEMPERATURE:<br>105°C MAX       |
| FOR APPLICATION TOOLING INFORMATION  | TOOLING ASSISTANCE CENTER<br>1-800-722-1111  | VOLTAGE RATING:<br>NOT APPLICABLE                     |
| FOR ORDER ENTRY  | 1-800-526-5142                               | WIRE CROSS SECTIONAL AREA RANGE:<br>SOLID OR STRANDED |

THIS DRAWING IS A CONTROLLED DOCUMENT FOR AMP INCORPORATED. IT IS SUBJECT TO CHANGE AND THE CONTROLLING ENGINEERING ORGANIZATION SHOULD BE CONTACTED FOR THE LATEST REVISION.

|                            |  |
|----------------------------|--|
| DIMENSIONS:<br>mm [INCHES] | TOLERANCES UNLESS OTHERWISE SPECIFIED: |
|                            | 0 PLC ±-                               |
|                            | 1 PLC ±-                               |
|                            | 2 PLC ±0.20 [.008]                     |
|                            | 3 PLC ±-                               |
|                            | 4 PLC ±-                               |
|                            | ANGLES ±-                              |
| MATERIAL<br>SEE TABLE      | FINISH<br>SEE TABLE                    |

|                               |  |
|-------------------------------|--|
| DWN<br>DK SCHRUM<br>10MAY96   | <b>AMP</b><br>AMP Incorporated<br>Harrisburg, PA 17105-3608        |
| CHK<br>DM SWARTZ<br>13MAY96   |  |
| APVD<br>JL MECKLEY<br>13MAY96 |  |
| PRODUCT SPEC<br>-             | NAME<br>TERMINAL, RING TONGUE,<br>AMPLI-BOND™,<br>WIRE SIZE: 8 AWG |
| APPLICATION SPEC<br>-         | SIZE<br>A3   |
| WEIGHT<br>-                   | CAGE CODE<br>00779   |
| CUSTOMER DRAWING              | DRAWING NO<br>C-322049   |
|                               | SCALE<br>4:1   |
|                               | SHEET<br>1 OF 1  |
|                               | REV<br>M   |